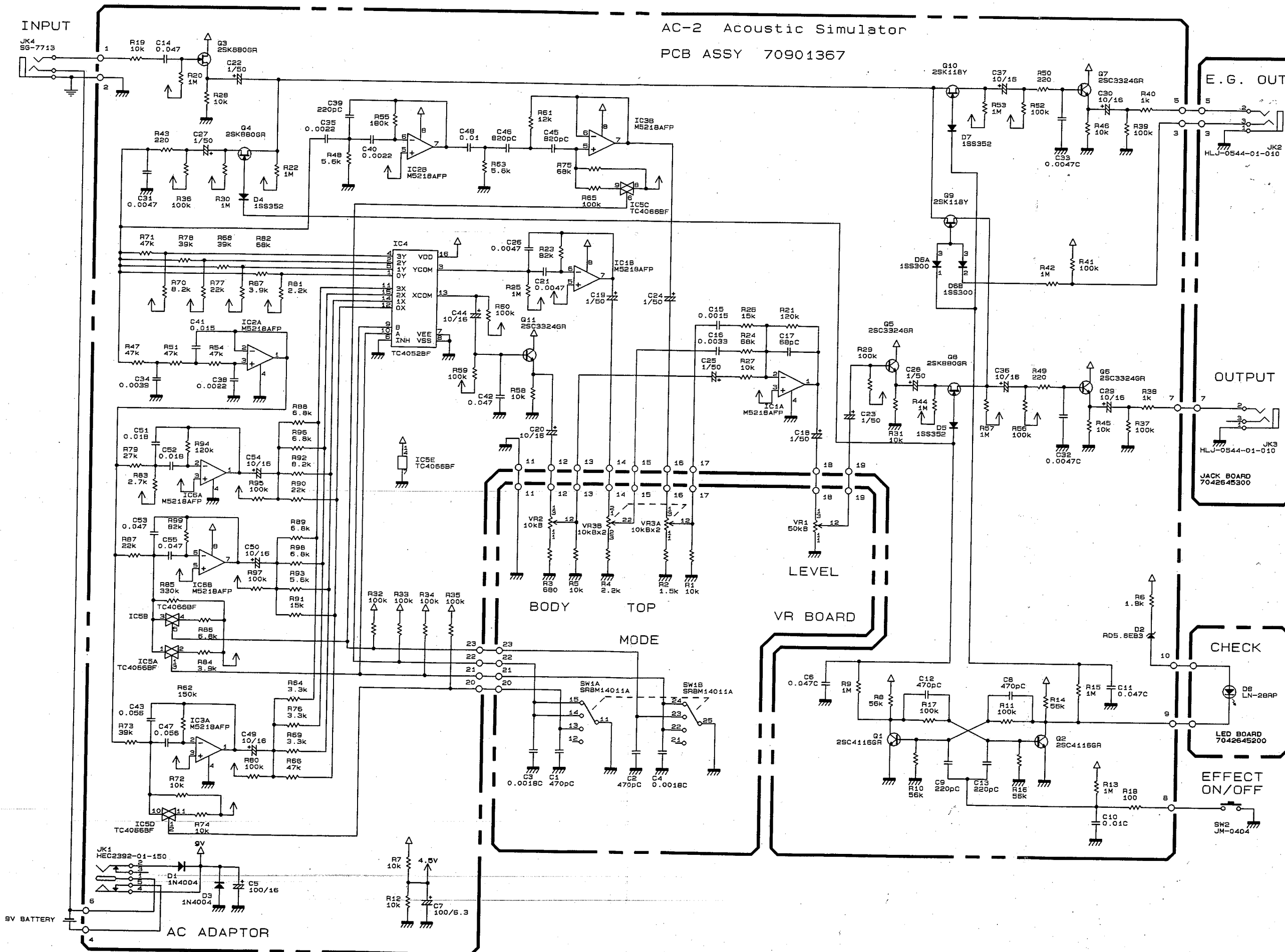


CIRCUIT DIAGRAM / 回路图

AC-2 Acoustic Simulator

PCB ASSY 70901367



A
B
C
D
E
F
G
H
I
J
K
L
M
N
O
P
Q
R
S
T
U
V