

1 2 3 4 5 6 7 8 9 10 11 12 13 14 15 16 17 18 19 20 21 22 23 24 25 26 27 28 29 30 31 32 33 34 35 36 37 38 39

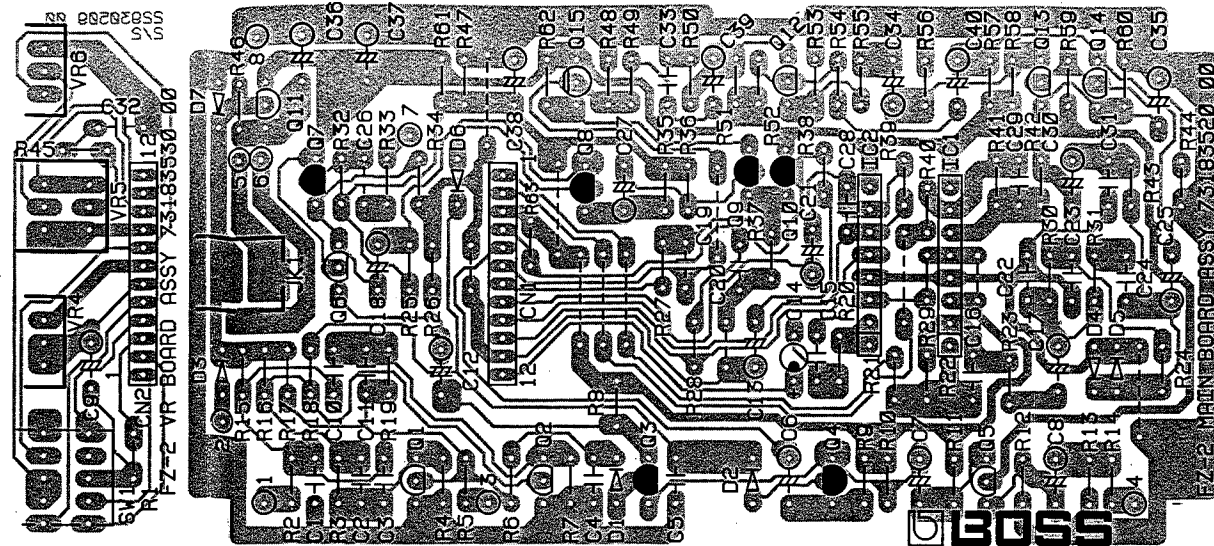
MT BOARD

Assy 7318352000
(pcb 22930509 1/2)

NOTE

Replacement MT Board Assy includes VR Board Assy.
補修用MT Board AssyはVR Board Assyを含みます。
VR Board Assy (pcb 22930509 2/2)

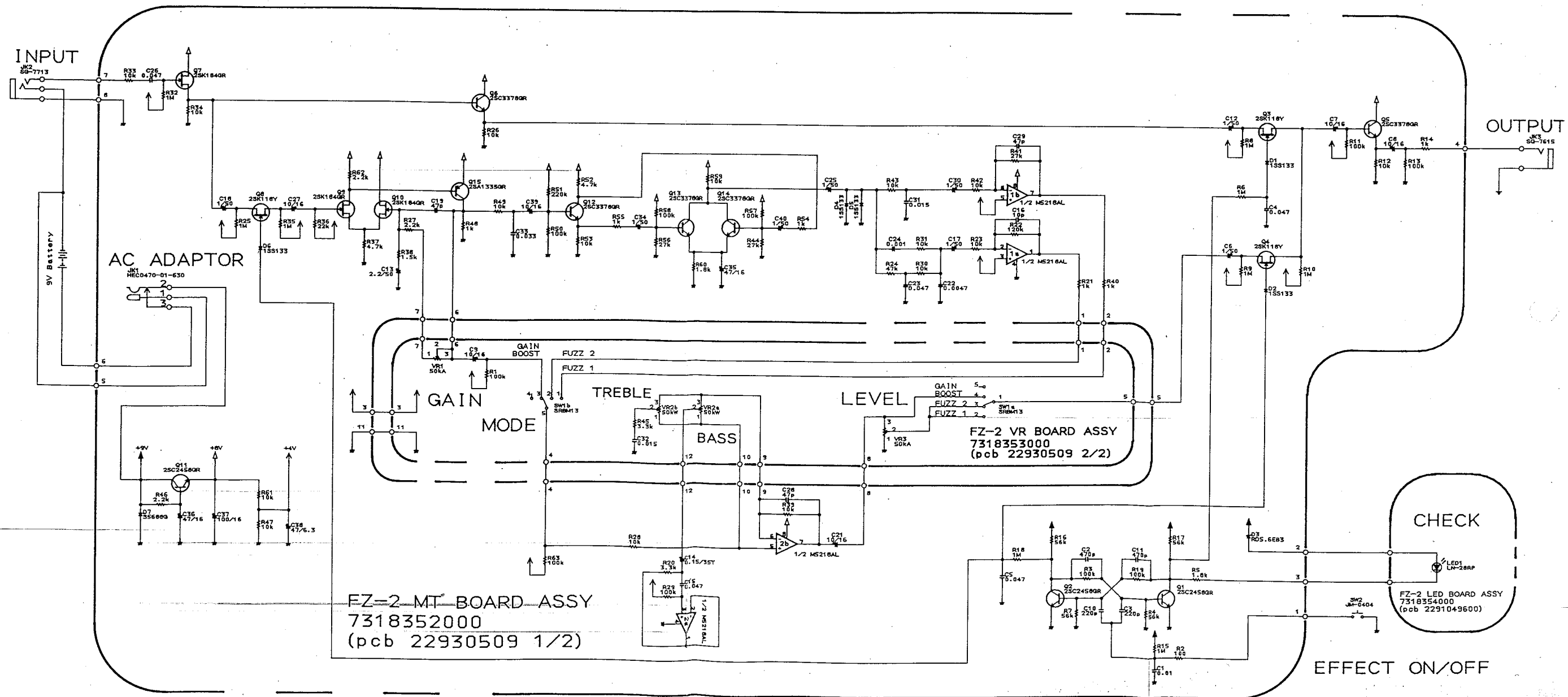
VR Board Assy
(pcb 22930509 2/2)



MT BOARD
(pcb 22930509 1/2)

CIRCUIT DIAGRAM/回路図

View from component side.



CHECK

EFFECT ON/OFF